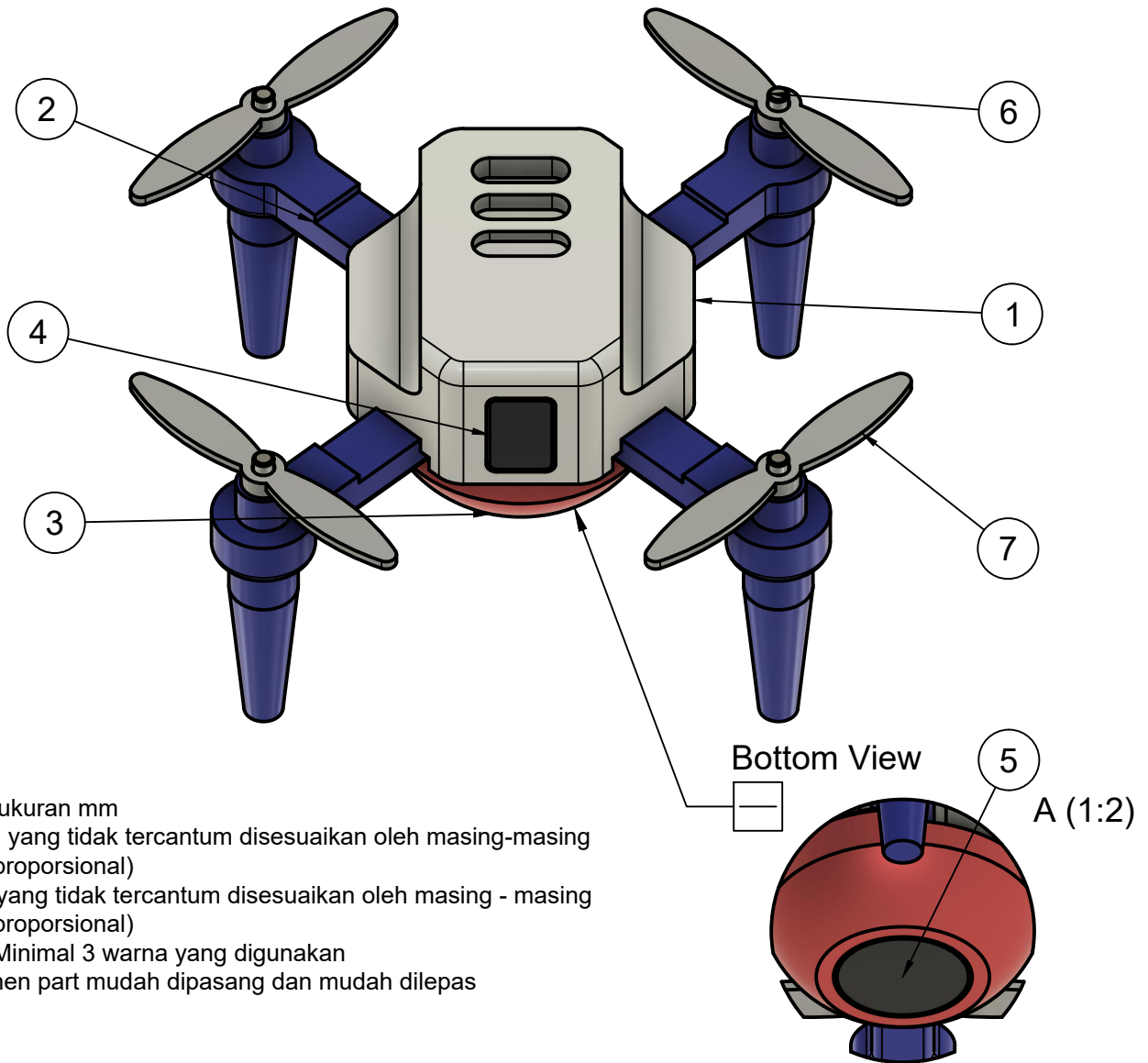


ASSEMBLY



Note :

- * Satuan ukuran mm
- * Dimensi yang tidak tercantum disesuaikan oleh masing-masing peserta (proporsional)
- * Radius yang tidak tercantum disesuaikan oleh masing - masing peserta (proporsional)
- * Warna Minimal 3 warna yang digunakan
- * Komponen part mudah dipasang dan mudah dilepas

Dimensi material HB : 250x250x50 mm

Parts List

Item	Qty	Part Number	Description	Material
1	1	BODY & BATTERY	Material sizes are managed by Competitors (Removable part)	Particleboard
2	1	FRAME	Material sizes are managed by Competitors (Removable part)	Particleboard
3	1	CAMERA	Material sizes are managed by Competitors (Removable part)	Particleboard
4	1	SENSOR	(Fixed part)	Acrylic
5	1	LENS	(Fixed part)	Acrylic
6	4	KNOCK PIN	Provided by the committee (Fixed part)	Steel
7	4	PROPELLER	Making by 3D Print (Removable part)	Plastic

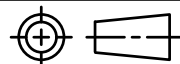
Test Project for the 31 National Skill
Competition in SMKN 5 Surabaya - Indonesia 2023.
Copyright 2023 WorldSkill International.
All Rights Reserved.



SKILL : PROTOTYPE MODELING

Scale : 1 : 2 Date : 23 Okt 2023 Size : A4

Projection A
ISO 5456 -1



Drawn by : Your Name

Drawing No. : 45 LKSN PM 2023 Drone Sby

Description : Assembly _ Drone

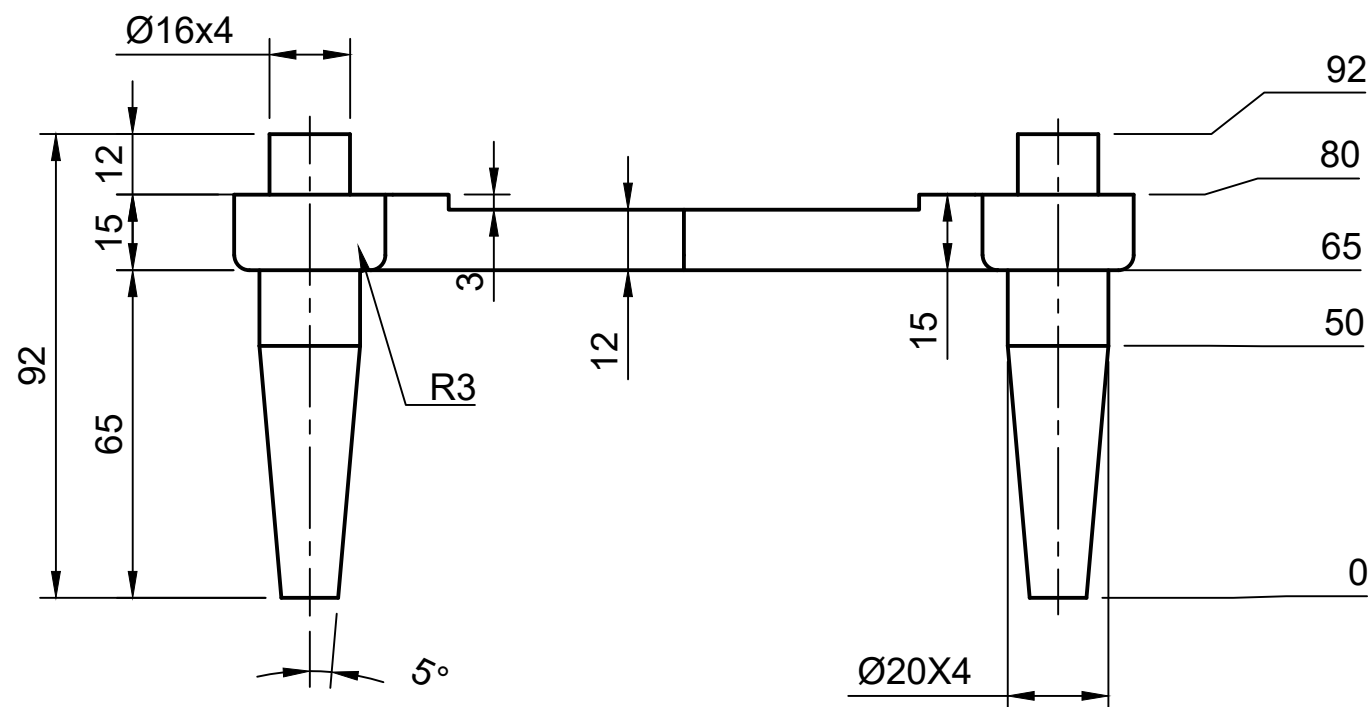
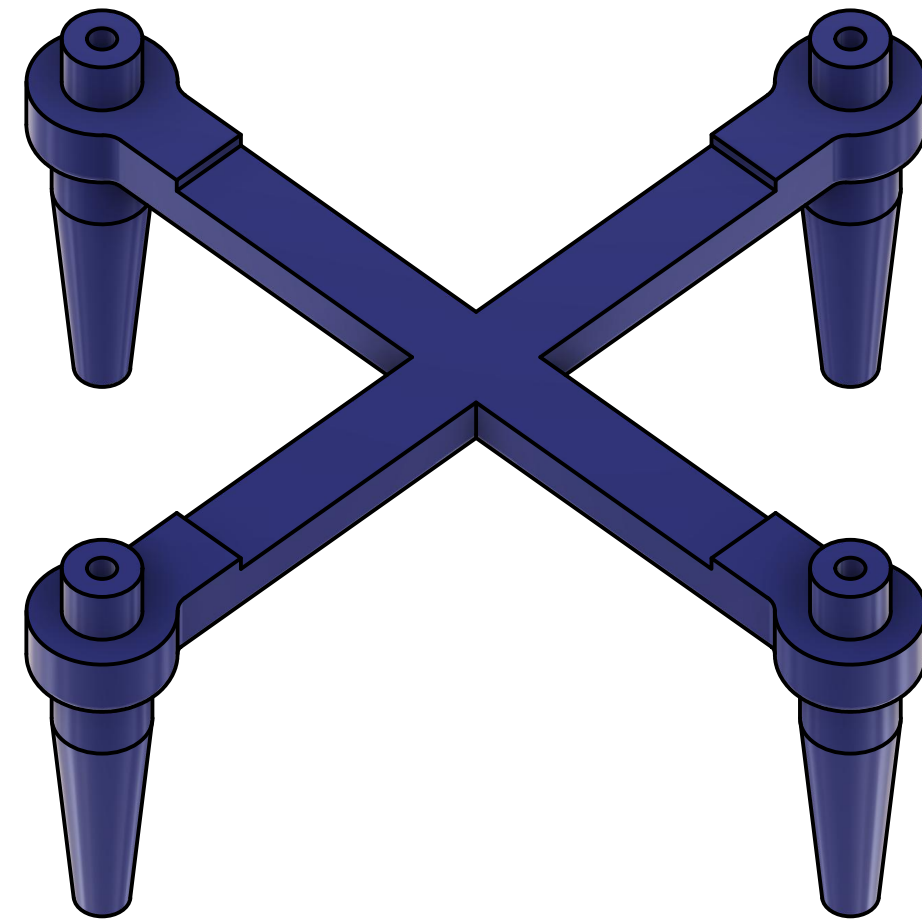
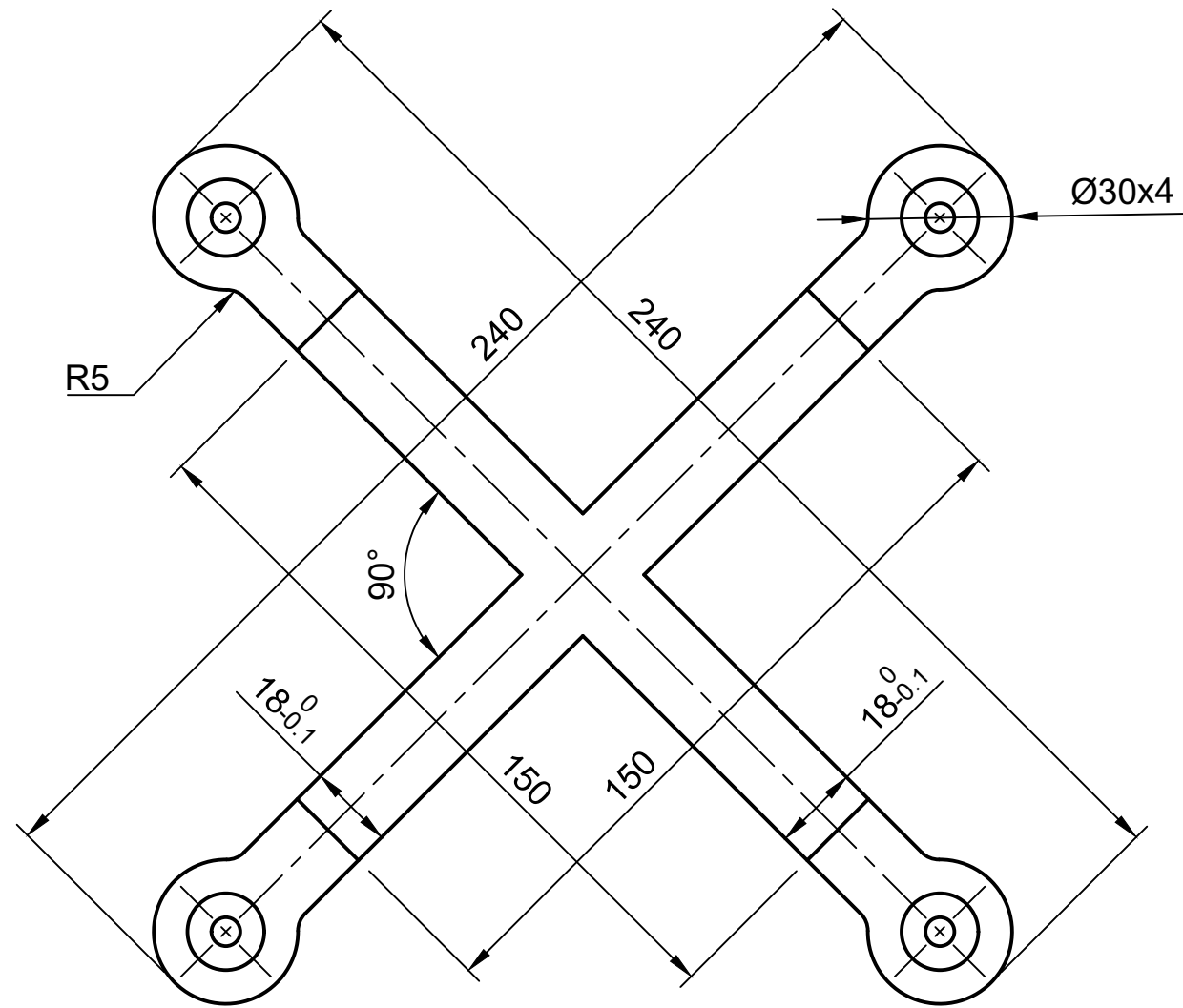
Revision : 01

Page : 01/05

Checked : F. Amri R

Approved : Rizki D. A.

FRAME



Note :

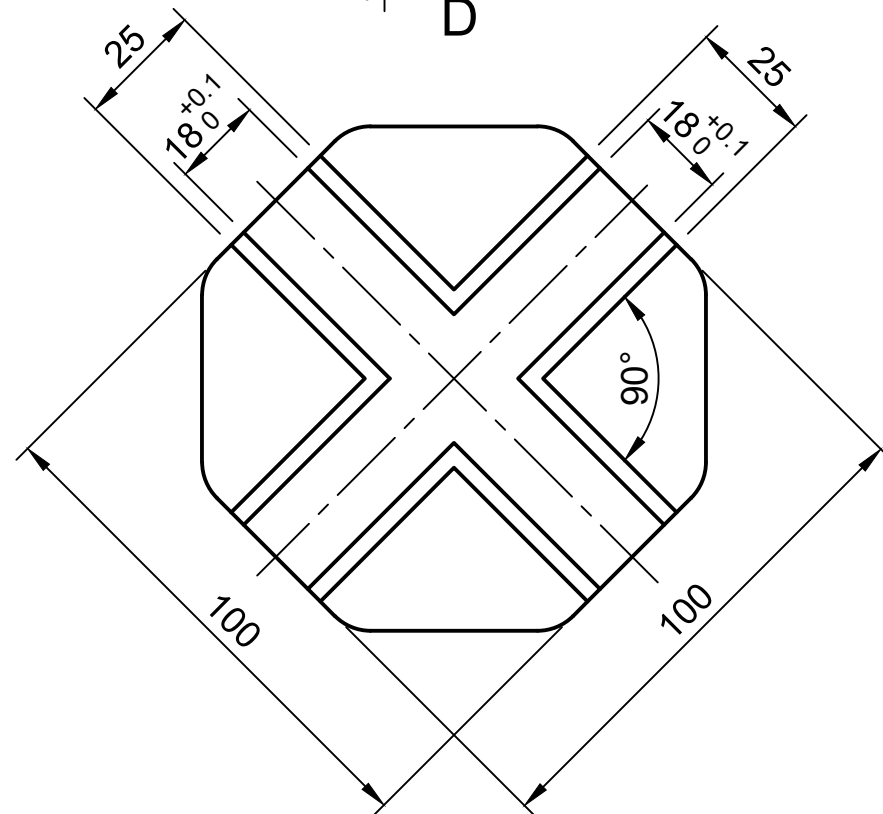
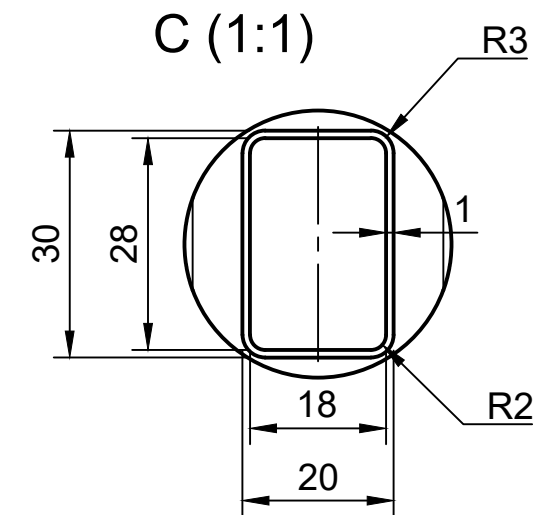
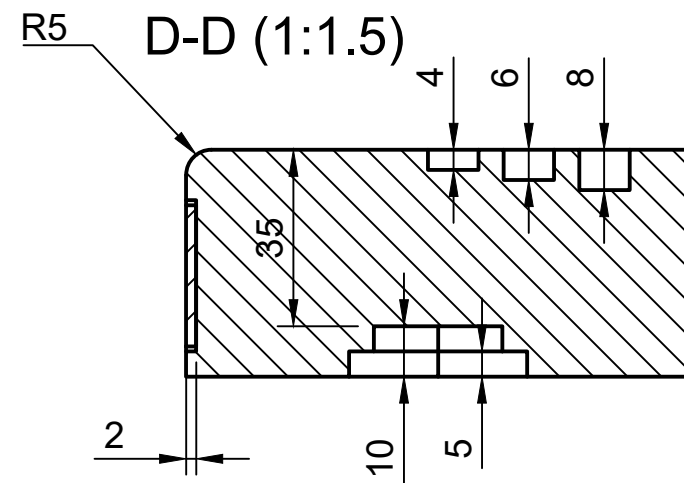
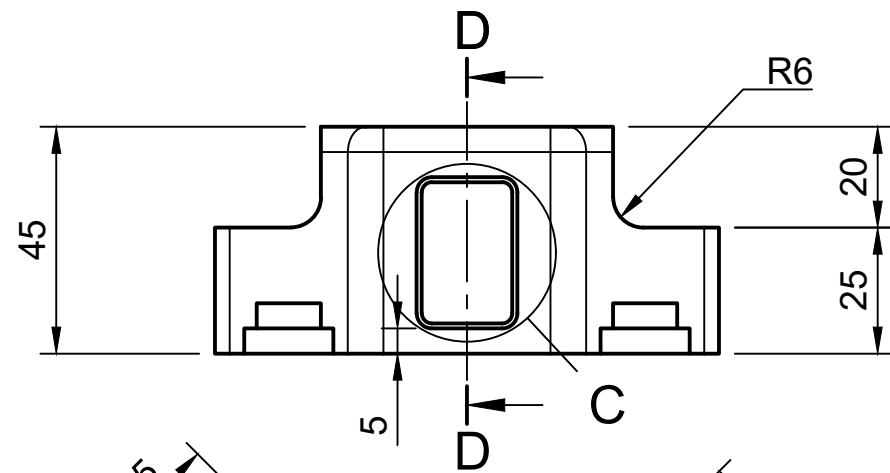
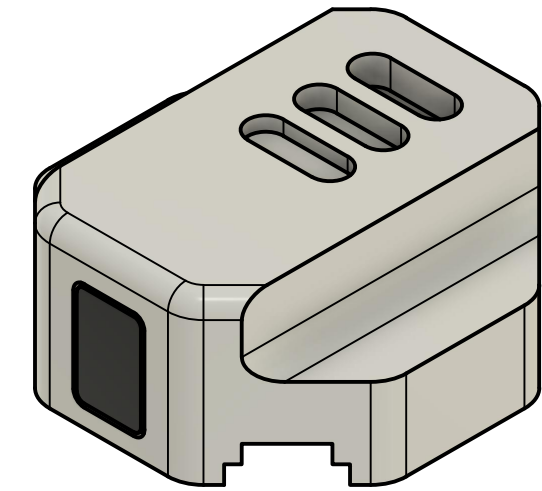
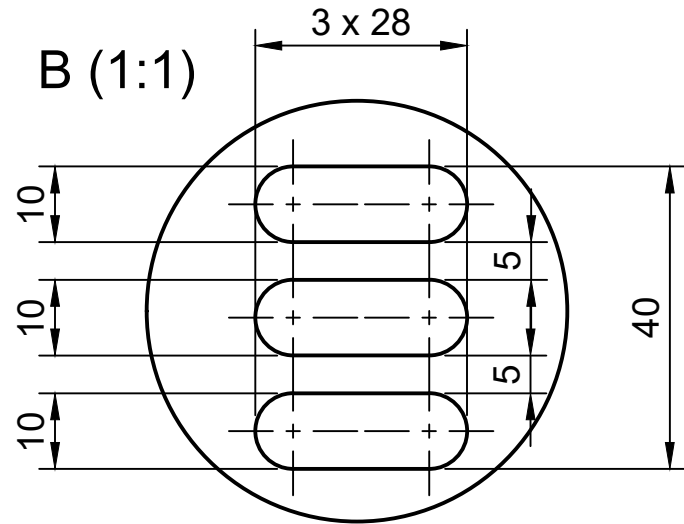
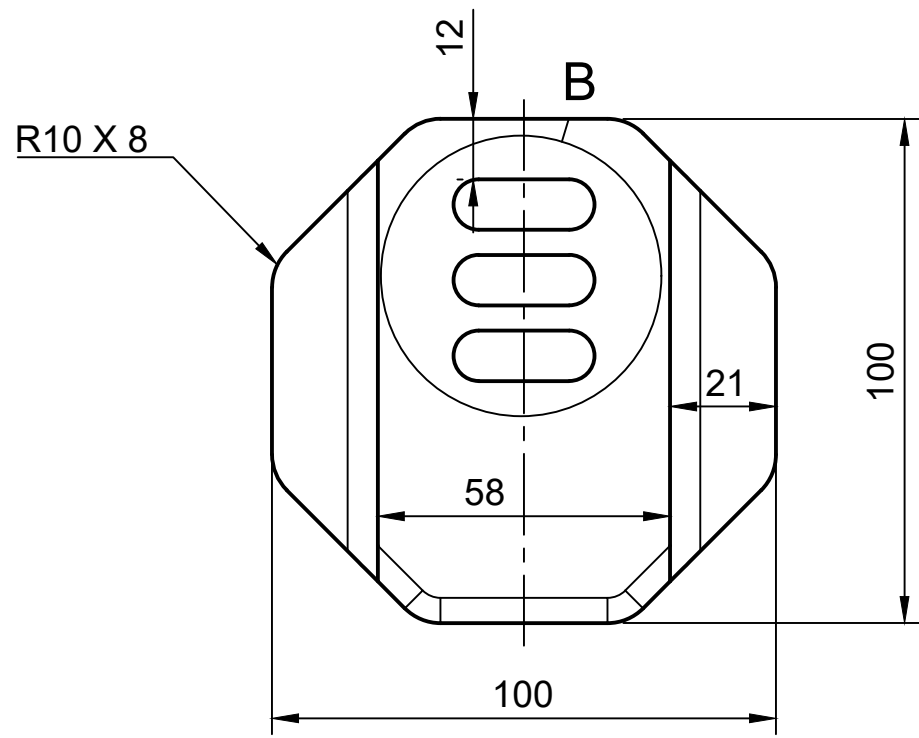
- * Satuan ukuran mm
- * Dimensi yang tidak tercantum disesuaikan oleh masing-masing peserta (proporsional)
- * Radius yang tidak tercantum disesuaikan oleh masing - masing peserta (proporsional)
- * Komponen part mudah dipasang dan mudah dilepas

Test Project for the 31 National Skill Competition in SMKN 5 Surabaya - Indonesia 2023. Copyright 2023 WorldSkill International. All Rights Reserved.



SKILL : PROTOTYPE MODELING		Projection A	
Scale : 1 : 1.5	Date : 23 Okt 2023	ISO 5456 -1	
Size : A3		Drawing No. : 45_LKSN_PM_2023_Drone Sby	
Drawn by : Your Name		Revision : 01	Page :02/05
Description : Frame _ Drone		Checked : F. Amri R.	Approved : Rizki D. A.

BODY & BATTERY



Note :

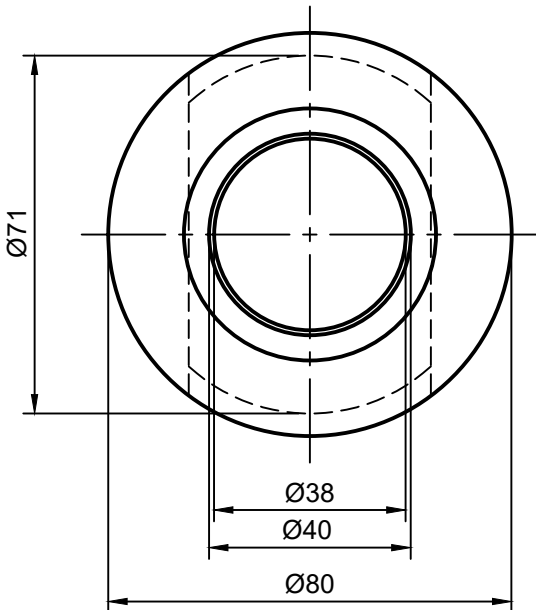
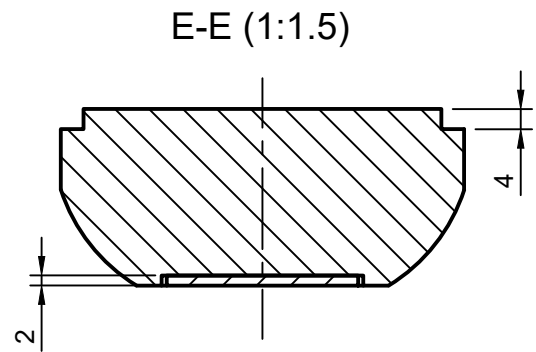
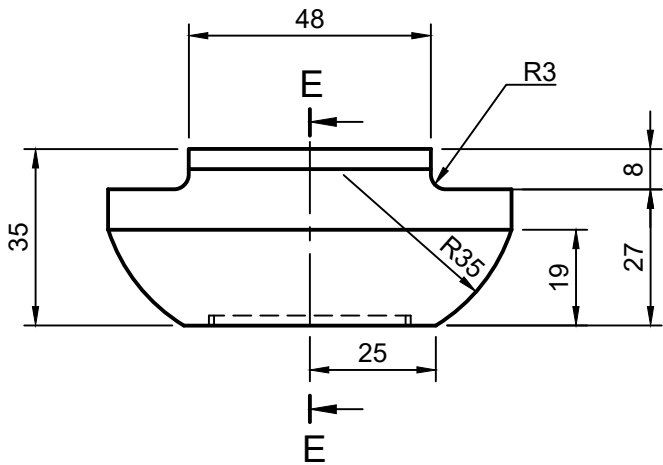
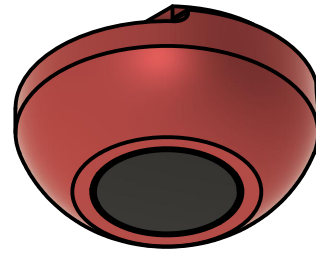
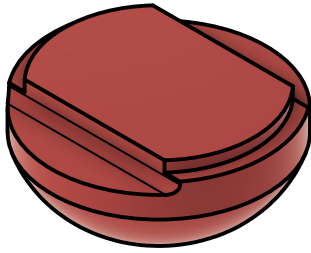
- * Satuan ukuran mm
- * Dimensi yang tidak tercantum disesuaikan oleh masing-masing peserta (proporsional)
- * Radius yang tidak tercantum disesuaikan oleh masing - masing peserta (proporsional)
- * Komponen part mudah dipasang dan mudah dilepas

Test Project for the 31 National Skill
Competition in SMKN 5 Surabaya - Indonesia 2023.
Copyright 2023 WorldSkill International.
All Rights Reserved.



SKILL : PROTOTYPE MODELING			Projection A	
Scale : 1 : 1.5	Date : 23 Okt 2023	Size : A3	ISO 5456 -1	
Drawn by : Your Name			Drawing No. : 45_LKSN_PM_2023_Drone Sby	
Description : Body & Battery _ Drone			Revision : 01	Page :03/05
			Checked : F. Amri R.	Approved : Rizki. D.A.

CAMERA



Note :

- * Satuan ukuran mm
- * Dimensi yang tidak tercantum disesuaikan oleh masing-masing peserta (proporsional)
- * Radius yang tidak tercantum disesuaikan oleh masing - masing peserta (proporsional)
- * Komponen part mudah dipasang dan mudah dilepas

Test Project for the 31 National Skill
Competition in SMKN 5 Surabaya - Indonesia 2023.
Copyright 2023 WorldSkill International.
All Rights Reserved.



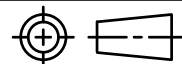
SKILL : PROTOTYPE MODELING

Scale : 1 : 2

Date : 23 Okt 2023

Size : A4

Projection A
ISO 5456 -1



Drawn by : Your Name

Description : Camera _ Drone

Drawing No. : 45_LKSN_PM_2023_Drone Sby

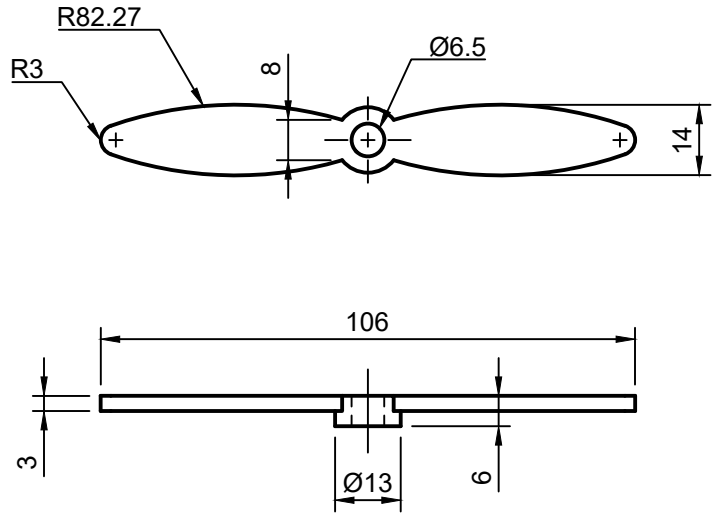
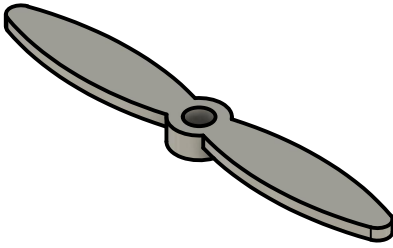
Revision : 01

Page :04/05

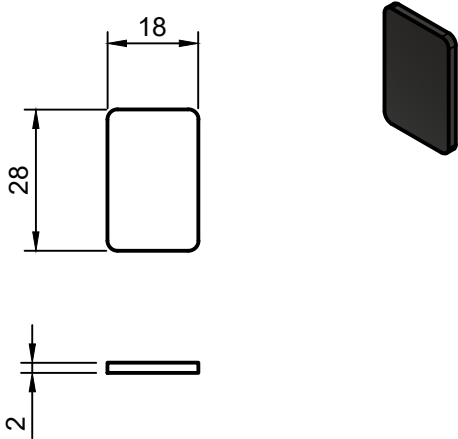
Checked : F. Amri R.

Approved : Rizki D.A.

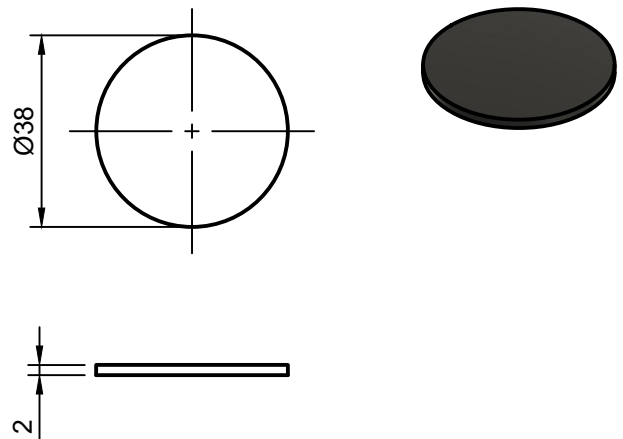
PROPELLER



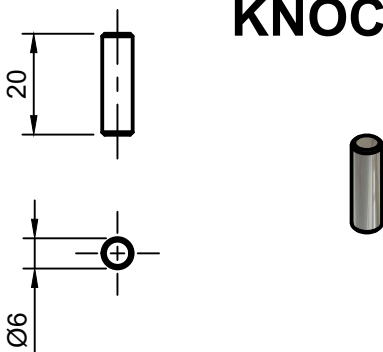
SENSOR



LENS



KNOCK PIN



- Note :
- * Satuan ukuran mm
 - * Dimensi yang tidak tercantum disesuaikan oleh masing-masing peserta (proporsional)
 - * Radius yang tidak tercantum disesuaikan oleh masing - masing peserta (proporsional)
 - * Komponen part mudah dipasang dan mudah dilepas

Test Project for the 31 National Skill
Competition in SMKN 5 Surabaya - Indonesia 2023.
Copyright 2023 WorldSkill International.
All Rights Reserved.



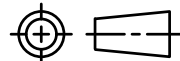
SKILL : PROTOTYPE MODELING

Scale : 1 : 2

Date : 23 Okt 2023

Size : A4

Projection A
ISO 5456 -1



Drawn by : Your Name

Drawing No. : 45_LKSN_PM_2023_Drone Sby

Description : Proppeller / Acrylic / Knock Pin _ Drone

Revision : 01

Page :05/05

Checked : F. Amri R.

Approved : Rizki D.A.