



**Puspresnas**  
Pusat Prestasi Nasional

# KISI-KISI DAN SOAL-SOAL

**LOMBA KOMPETISI SISWA (LKS)  
TINGKAT NASIONAL XXIX  
TAHUN 2021**



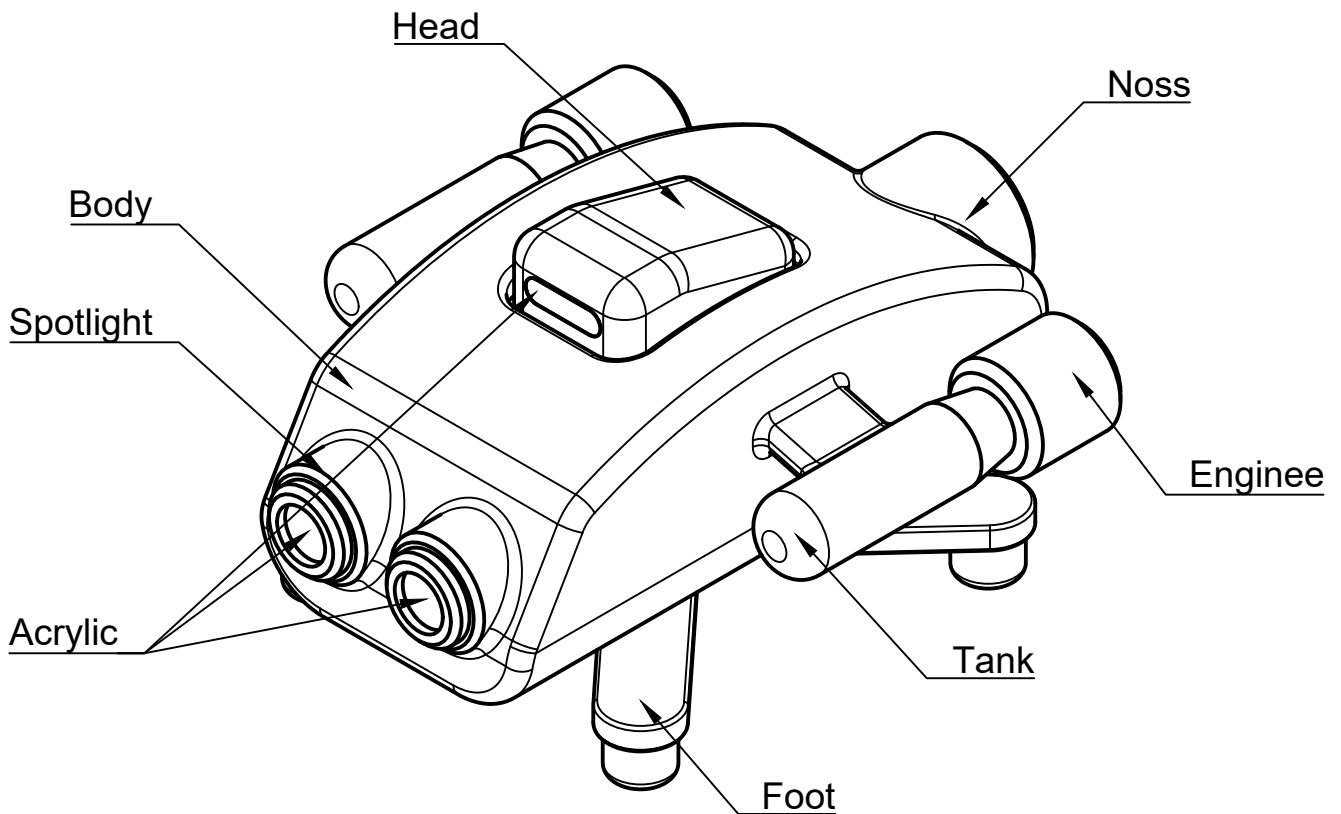
**BIDANG LOMBA**

**Model Prototyping**  
Prototype Modeling



Member Of  
**worldskills**

# ASSY



**Note :**

- \* Total Waktu Pengerjaan 15 Jam
- \* Satuan ukuran mm
- \* Warna Minimal 2 warna yang digunakan
- \* Komponen part mudah dipasang, mudah dilepas

## Part List

Item	Name Part	Qty	Description	Material Req.
1	Body	1	Permanen	250 x 100 x 100
2	Foot	1	Dapat dipasang/dilepas	250 x 50 x 50
3	Head	1	Dapat dipasang/dilepas	100 x 50 x 50
4	Enginee	2	Dapat dipasang/dilepas	100 x 50 x 50
5	Tank	2	Permanent	100 x 100 x 50
6	Spotlight	2	Permanen	100 x 50 x 50
7	Noss	1	Permanen	100 x 100 x 50

Test Project for the 29 National Skill  
Competition in Yogyakarta, DIY - Indonesia 2021.  
Copyright 2021 WorldSkill International.  
All Rights Reserved.



Skill : Prototype Modelling

Projektion E  
ISO 5456-2



Skala : 1 : 2

Date : 28 / 06 / 2021

Paper : A4

Drawn / Design by : Rizki Dwi Afrianto

Drawing No : LKSN\_2021\_Drone Underwater

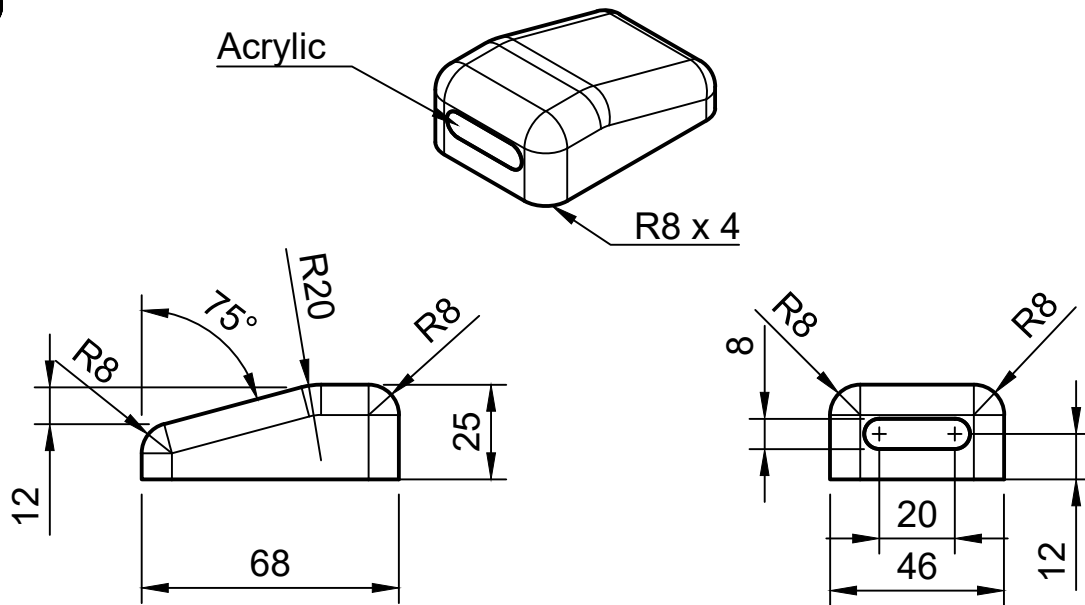
Discription : Assy Part

Rev : 00

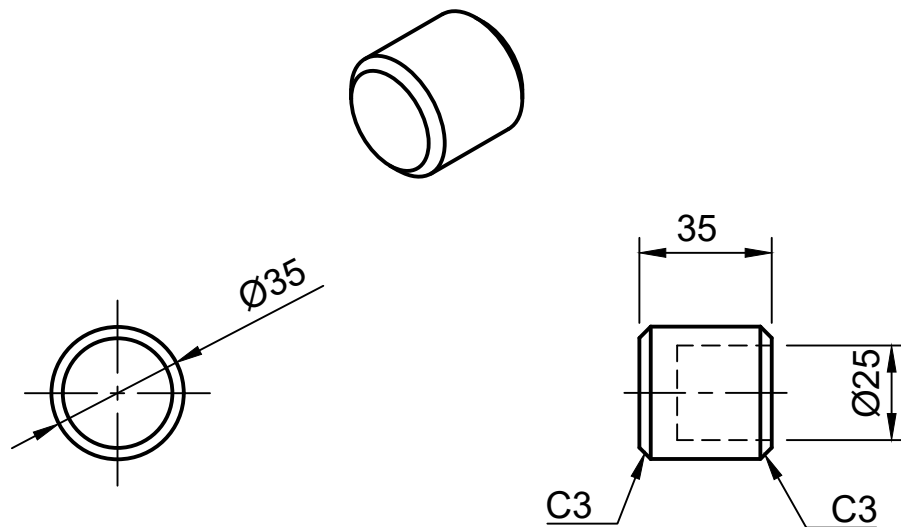
Page : 1 of 3



# HEAD



# ENGINEE



**Note :**

- \* Total Waktu Pengerjaan 15 Jam
- \* Satuan ukuran mm
- \* Warna Minimal 2 warna yang digunakan
- \* Komponen part mudah dipasang, mudah dilepas

Test Project for the 29 National Skill  
 Competition in Yogyakarta, DIY - Indonesia 2021.  
 Copyright 2021 WorldSkill International.  
 All Rights Reserved.



Skill : Prototype Modelling				
Skala : 1 : 2	Date : 29 / 06 / 2021	Paper : A4		
Drawn / Design by : Rizki Dwi Afrianto			Drawing No : LKSN_2021_Drone Underwater	
Discription : Part Head & Enginee			Rev :00	Page : 3 of 3



**KEMENTERIAN PENDIDIKAN, KEBUDAYAAN, RISET DAN TEKNOLOGI**  
**PUSAT PRESTASI NASIONAL**

---

JL. Jenderal Sudirman, Gedung C Lt. 19, Senayan, Jakarta 10270  
Telp. (021) 5731177, Faksimile: (021) 5721243 Laman:  
<https://pusatprestasinasional.kemdikbud.go.id>