



**Puspresnas**  
Pusat Prestasi Nasional



Member Of  
**worldskills**

# KISI-KISI

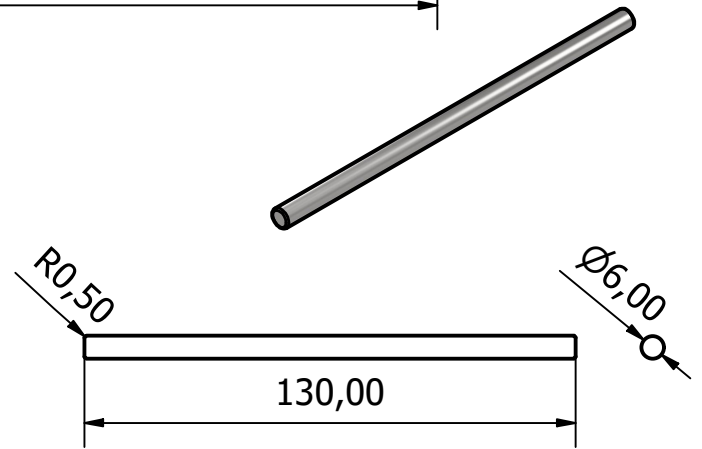
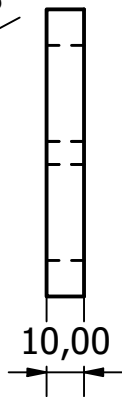
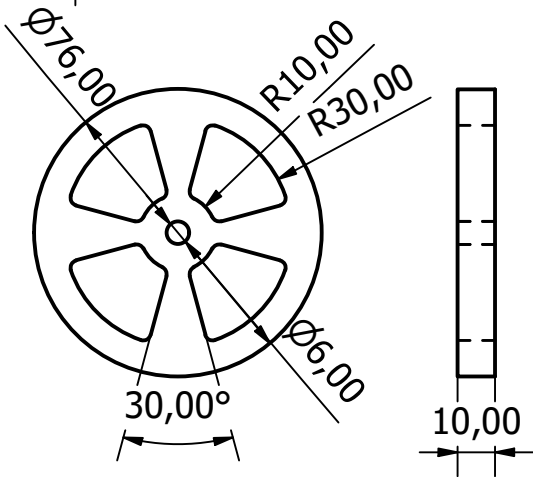
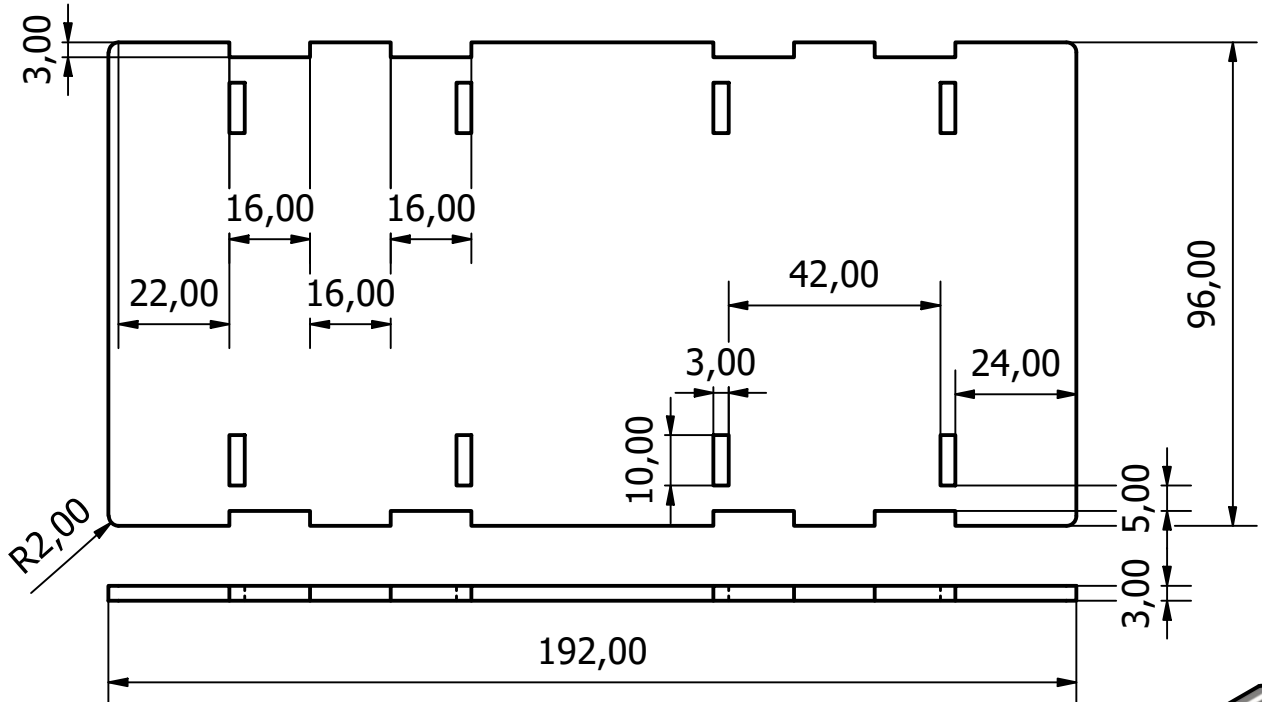
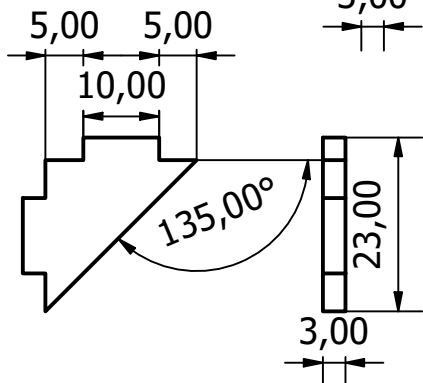
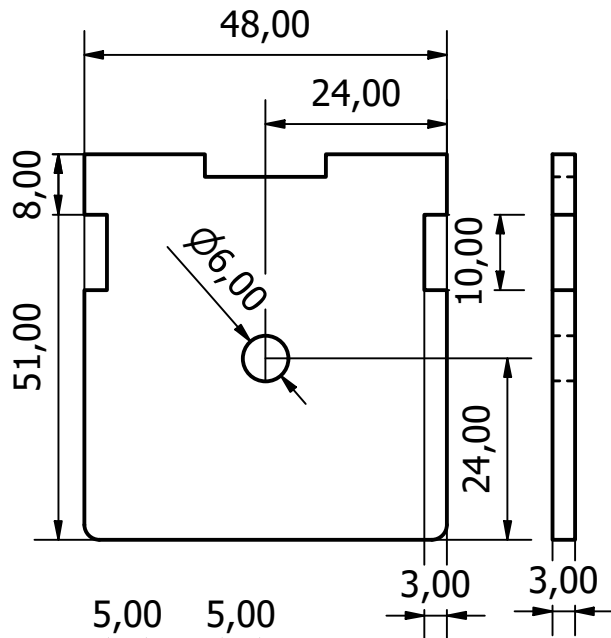
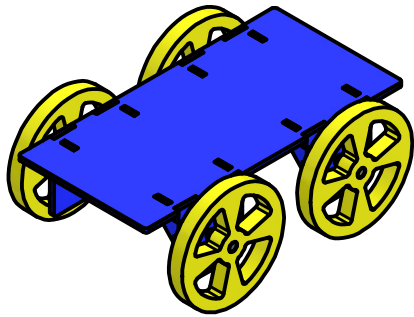
**LOMBA KOMPETENSI SISWA (LKS)-SMK  
TINGKAT NASIONAL XXX TAHUN 2022**

**BIDANG LOMBA**

**Robotika Mobile  
(Mobile Robotics)**



Teknologi Manufaktur dan Rekayasa



|                                  |            |             |             |                    |                |
|----------------------------------|------------|-------------|-------------|--------------------|----------------|
| Designed by<br>Andreas Dani Nata | Checked by | Approved by | Date        | Date<br>02/02/2022 |                |
| IndonesiaSkills                  |            |             | Gourney     |                    |                |
|                                  |            |             | Gourney#LKS | Edition            | Sheet<br>1 / 1 |